

## MTP 10 Potentiomètre

N° article: 32731

Variante : 10V



## Description

Potentiometer 10k $\Omega$  for speed controlling

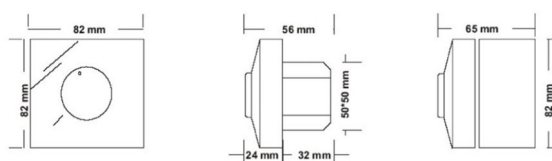
- Combined flush or surface mounting

For the manual control of speed and air flow of electrical fans with 0-10V output. The jetproof IP 54 enclosure is achieved with the included surface mounting case. (Flush-mounting without the surface mounting case gives a splash proof IP 44 enclosure also suitable for highly demand environments as bathrooms etc).

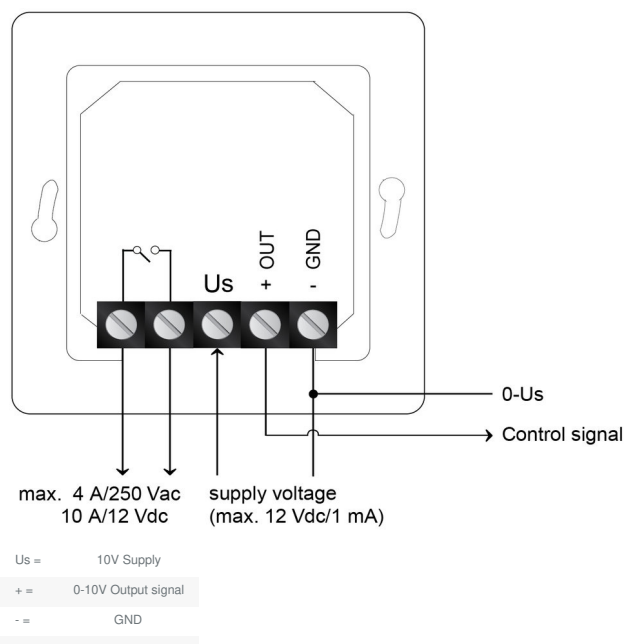
## Paramètres techniques

| Données nominales         |             |
|---------------------------|-------------|
| Voltage (nominal)         | 10 V        |
| Type de tension           | DC          |
| Protection/Classification |             |
| Indice de protection      | IP44        |
| Régulations et sondes     |             |
| Capacité de commutation   | 4A / 250V   |
| Plage de régulation       | 0...10 V    |
| Signal de commande        | 0...10 kOhm |
| Dimensions et poids       |             |
| Poids                     | 0,17 kg     |
| Autres                    |             |
| Contact                   | 1 NO        |

## Dimensions



## Câblage



## Documents

DATASHEET\_MTP\_10.PDF

MTP-Declaration of conformity.pdf